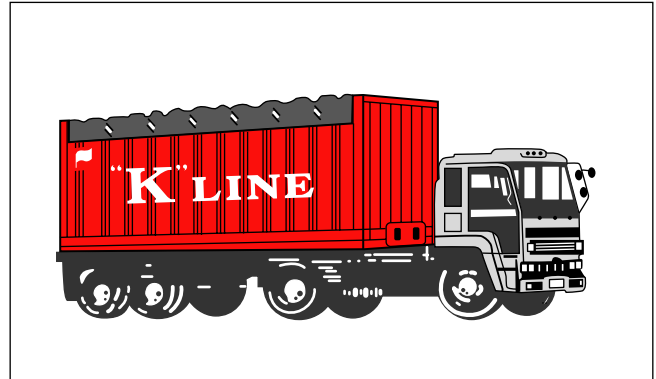
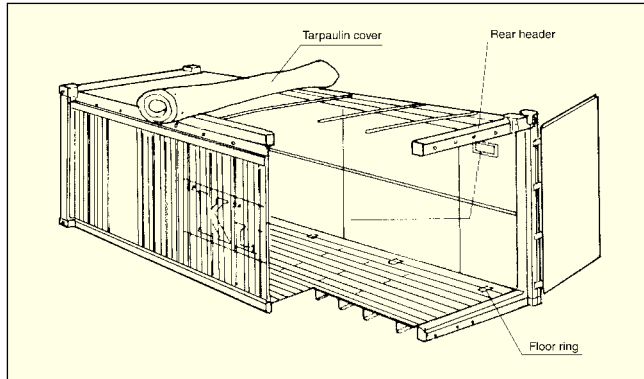


# 20' Open Top Containers



Height	Material	Tare Weight (kg/lbs)	Max* Cargo Cap. (kg/lbs)	Door Opening		Interior Dimensions			Interior Cube (m³/cft)
				Width (mm/ft)	Height (mm/ft)	Length (mm/ft)	Width (mm/ft)	Height (mm/ft)	
8'– 0"	Steel	2,450	21,550	2,338	2,234	5,891	2,350	2,330	32.2 1,137
		5,401	47,510	7' 8"	7' 4"	19' 4"	7' 9"	7' 8"	

Remarks \* : Subject to road and rail weight limitations.  
 : Above are typical figures for this type of containers.